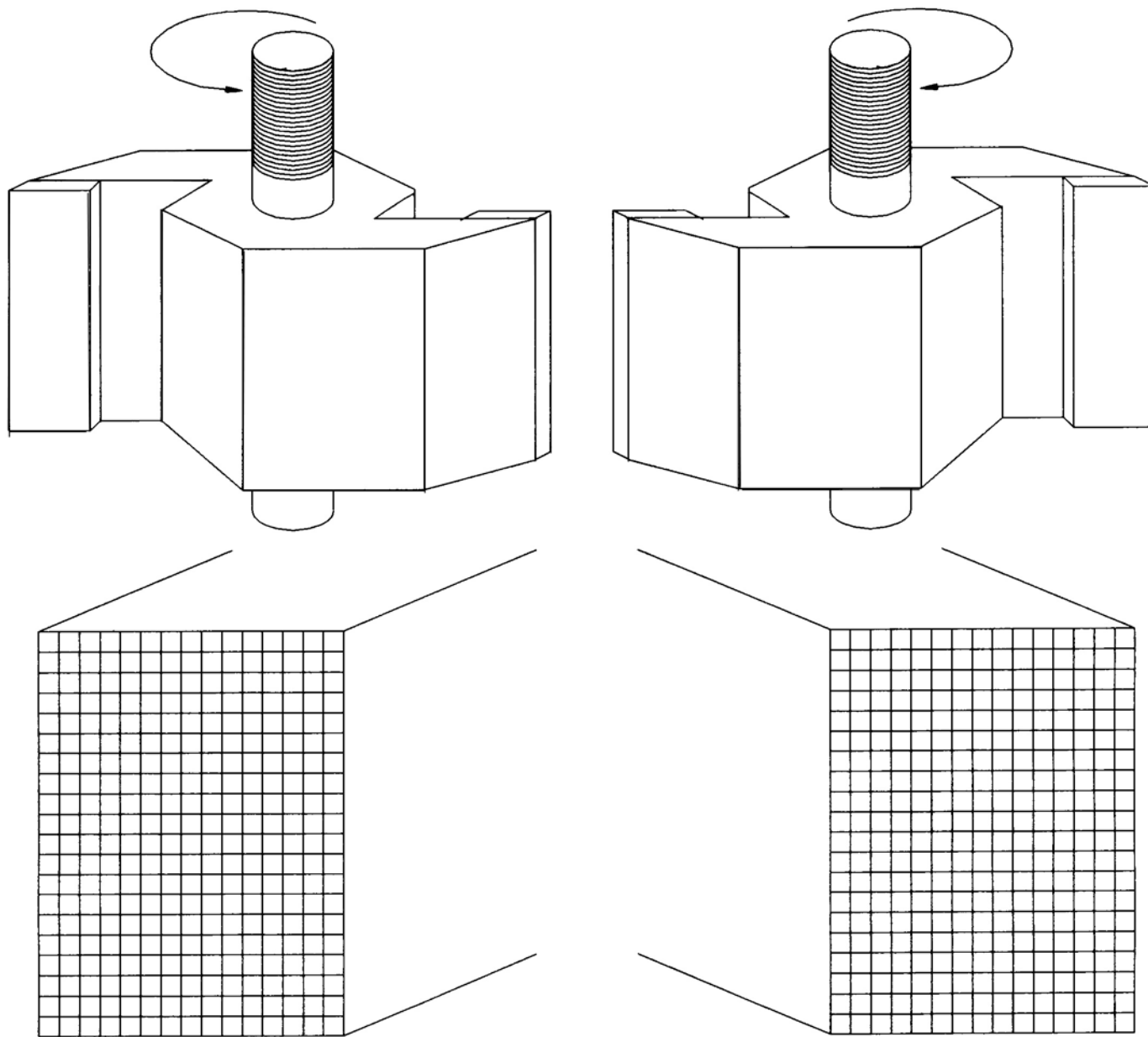


DESIGN YOUR SPECIAL CUTTER

Draw the exact pattern that you need. The cross section pad is 1/8" grids. If your drawing is not to scale, then add dimensions.
Send in wood samples if you have one.



Specifications required when ordering.

Name _____ Address _____ Phone number _____

Diameter _____ Number of wings _____ Arbor Hole _____

Cutting with _____, Cross _____, and/or end _____ Grain. Shear face required _____

Spindle RPM _____ Spindle HP _____ Power Feed Yes _____ No _____

Clockwise rotation _____ Counter Clockwise rotation _____

Using existing ball bearing guide _____ If so diameter of BB guide _____

New ball bearing guide required _____ BB on top _____ or bottom _____ of cutter.

Material(s) to be cut _____ Table Opening _____